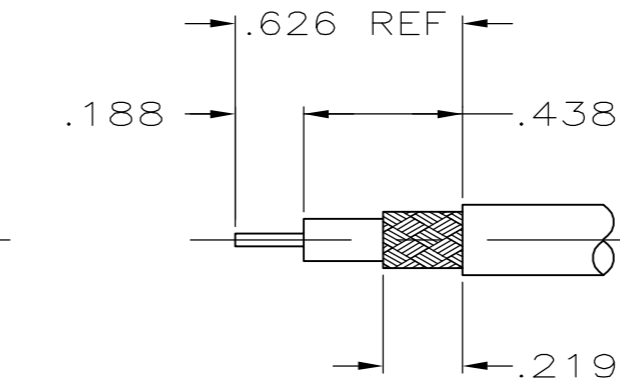
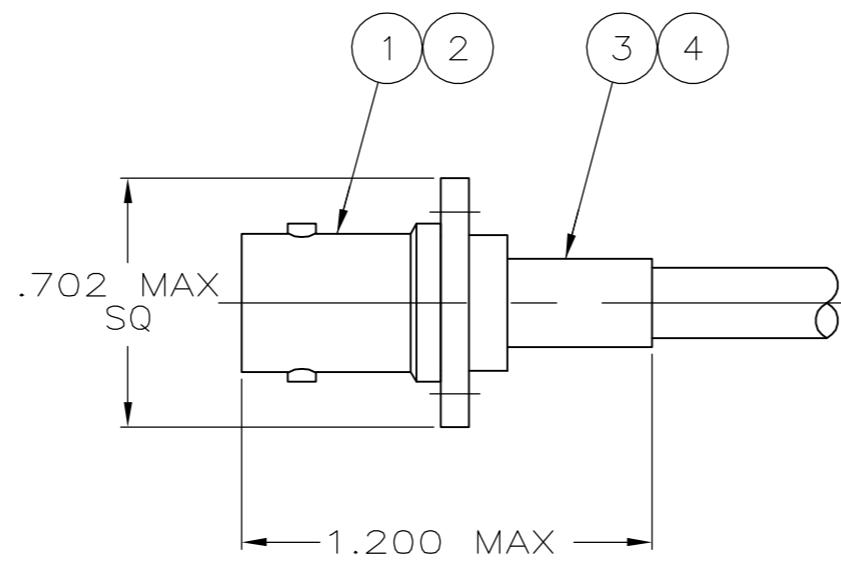
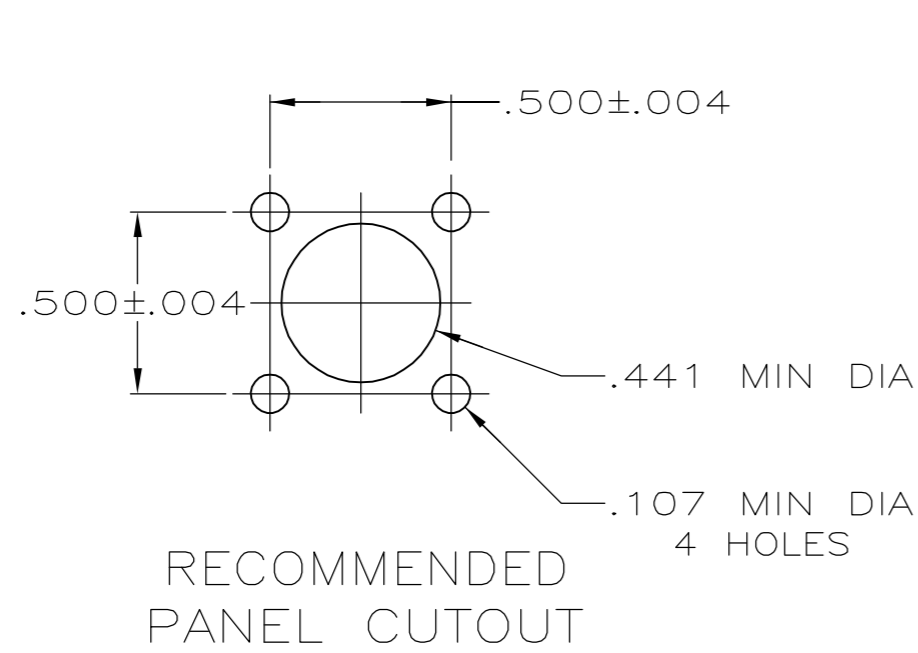


THIS DRAWING IS UNPUBLISHED. RELEASED FOR PUBLICATION
 © COPYRIGHT BY TYCO ELECTRONICS CORPORATION. ALL RIGHTS RESERVED.

LOC	DIST	REVISIONS			
P	LTR	DESCRIPTION	DATE	OWN	APVD
AJ	16	0	REV PER EC-0S14-0496-04	31JAN2005	AF JL



RECOMMENDED STRIP LENGTH

△ SEE I.S. 1914-4

RG0174/U, 188/U, 316/U	220009-1	.023583 LB	21427-2	9-328666-0	1-331368-2	1-331791-4	5225397-7
RG-59B/U & 62B/U	69477-1	.024369 LB	—————	9-50428-0	2-331368-3	1-331791-3	5225397-2
RG-58/U,58A/U,58B/U & 58C/U	69478-1	.391 OZ	—————	9-50427-1	1-331369-6	1-331791-2	5225397-1
FOR USE WITH CABLE:	CRIMPING TOOL	WEIGHT	④ BUSHING QTY=1	③ FERRULE QTY=1	② CONTACT QTY=1	① JACK ASSY, PANEL QTY=1	PART NO

THIS DRAWING IS A CONTROLLED DOCUMENT.		DWN A. FERNANDEZ-DOCK5 31JAN2005	Tyco Electronics Corporation Harrisburg, PA 17105-3608	
DIMENSIONS: INCHES		CHK J. HAVENER 31JAN2005	NAME JACK, PANEL, DUAL CRIMP, BNC	
TOLERANCES UNLESS OTHERWISE SPECIFIED: 0 PLC ± - 1 PLC ± - 2 PLC ± - 3 PLC ± .016 4 PLC ± - ANGLES ± - FINISH -		APVD J. LIPPERT 31JAN2005	PRODUCT SPEC APPLICATION SPEC WEIGHT - SCALE 1:1	
MATERIAL -		SIZE A2		CAGE CODE 00779
CUSTOMER DRAWING		DRAWING NO C=5225397		RESTRICTED TO - SHEET 1 OF 1 REV 0

5225397